



16-32-XD



16-32R-XD

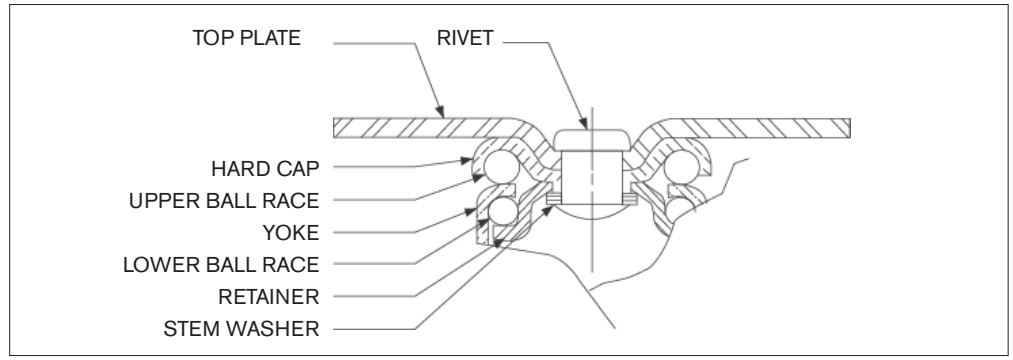


16-32.5-XSR



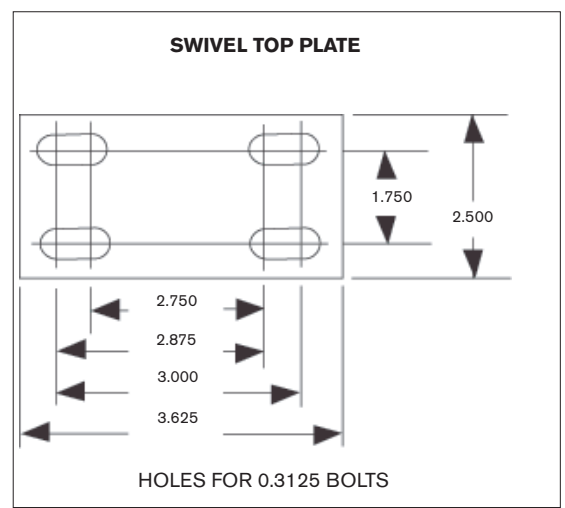
16-32.5R-XSR

FEATURES



- 5/16" Axle
- 1/2" Rivet
- Double row ball bearing swivel. Both raceways equal diameter
- Bright chrome finish
- All swivel parts case hardened to Rockwell 62C
- Thread guards standard on 2-1/2" wheels

INSTALLATIONS



NO. 16 TOP PLATE

OPTIONAL TOP PLATES AND STEMS AVAILABLE

OTHER SIZES (3", 4" AND 5") AVAILABLE ON SPECIAL ORDER.

WHEEL DIA.	TREAD WIDTH	LOAD CAP./LBS	BEARING TYPE	SWIVEL MODEL	RIGID MODEL	SWIVEL RADIUS	OVERALL HEIGHT
NEOPRENE SUPER ROLL							
2"	1"	300	BALL	16-32-XD	16-32R-XD	2-3/8"	3-1/4"
2-1/2"	1"	300	BALL	16-32.5-XSR	16-32.5R-XSR	2-5/8"	3-7/8"
HARD RUBBER							
2"	1"	400	BALL	16-32-XH	16-32R-XH	2-3/8"	3-1/4"
2-1/2"	1"	400	BALL	16-32.5-XH	16-32.5R-XH	2-5/8"	3-7/8"

 **CASTERS & EQUIPMENT CO.** 