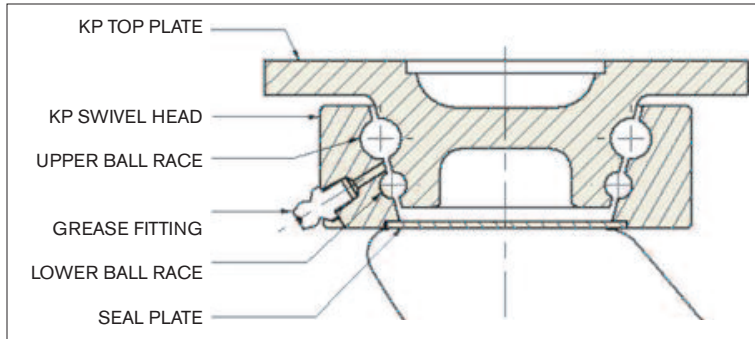


CAPACITY: 1000-1800 LBS PER CASTER

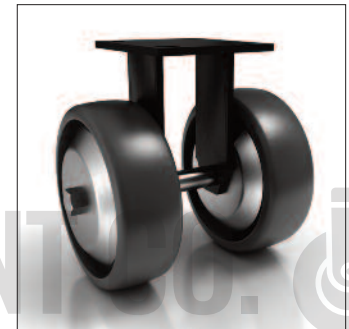
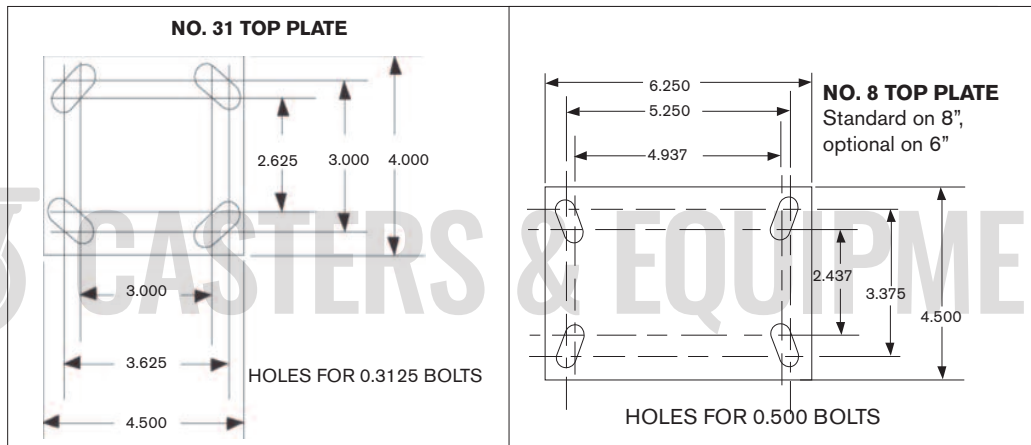
## FEATURES

- Same robust construction as the single wheeled Kingpinless
  - Modular design allows the addition of one or two wheels
    - dual or triple configuration
- Multi-wheel design produces even lower start, swivel and rolling forces
  - Available in both Darcor proprietary ergonomic wheel materials, Neoprene and Solid Elastomer



31-KP3406-PD

## INSTALLATIONS



31-2406-PSE

WHEEL DIAMETER	TREAD WIDTH	LOAD CAP./LBS	BEARING TYPE	SWIVEL MODEL	RIGID MODEL	SWIVEL RADIUS	OVERALL HEIGHT
<b>NEOPRENE</b>							
6" DUAL	2"	1000	PRECISION BALL	31-KP2406-PD	31-406R-PD	6-1/2"	7-11/16"
6" TRIPLE	2"	1400	PRECISION BALL	31-KP3406-PD	31-406R-PD	6-1/2"	7-11/16"
8" DUAL	2"	1000	PRECISION BALL	8-KP2408-PD	31-408R-PD	7-3/8"	9-3/4"
8" TRIPLE	2"	1500	PRECISION BALL	8-KP3406-PD	31-408R-PD	7-3/8"	9-3/4"
<b>SOLID ELASTOMER</b>							
6" DUAL	2"	1600	PRECISION BALL	31-KP2406-PSE	31-406R-PSE	6-1/2"	7-11/16"
6" TRIPLE	2"	1800	PRECISION BALL	31-KP3406-PSE	31-406R-PSE	6-1/2"	7-11/16"
8" DUAL	2"	1600	PRECISION BALL	8-KP2408-PSE	31-408R-PSE	7-3/8"	9-3/4"
8" TRIPLE	2"	1800	PRECISION BALL	8-KP3408-PSE	31-408R-PSE	7-3/8"	9-3/4"