

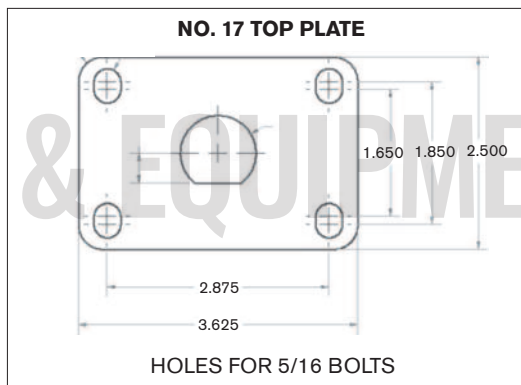


**FEATURES**

- The worlds first single button, triple-function caster
- One foot pedal controls free swivel, swivel lock and total lock
- Hardened ball bearing race and precision ball bearings in the wheel
- Ideal solution for ultrasound, mobile x-ray and anesthesiology machines
- One of the lowest starting, rolling and swiveling forces in the industry



**INSTALLATION**



WHEEL DIAMETER	TREAD WIDTH	LOAD CAP./LBS	BEARING TYPE	3-POSITION MODEL	SWIVEL MODEL	SWIVEL RADIUS	OVERALL HEIGHT
<b>NEOPRENE SUPER ROLL - STANDARD WHEEL</b>							
6"	1-1/2"	400	PRECISION	17-MED6A-PSR	17-MED6PSR	5"	7 - 1/2"
<b>NEOPRENE - OPTIONAL WHEEL</b>							
6"	1-1/2"	300	PRECISION	17-MED6A-PD	17-MED6PD	5"	7 - 1/2"

THE MEDIC™ IS A REGISTERED TRADEMARK OF DARCOR LIMITED.