



31-CW76-XD



31-CW76B-XD



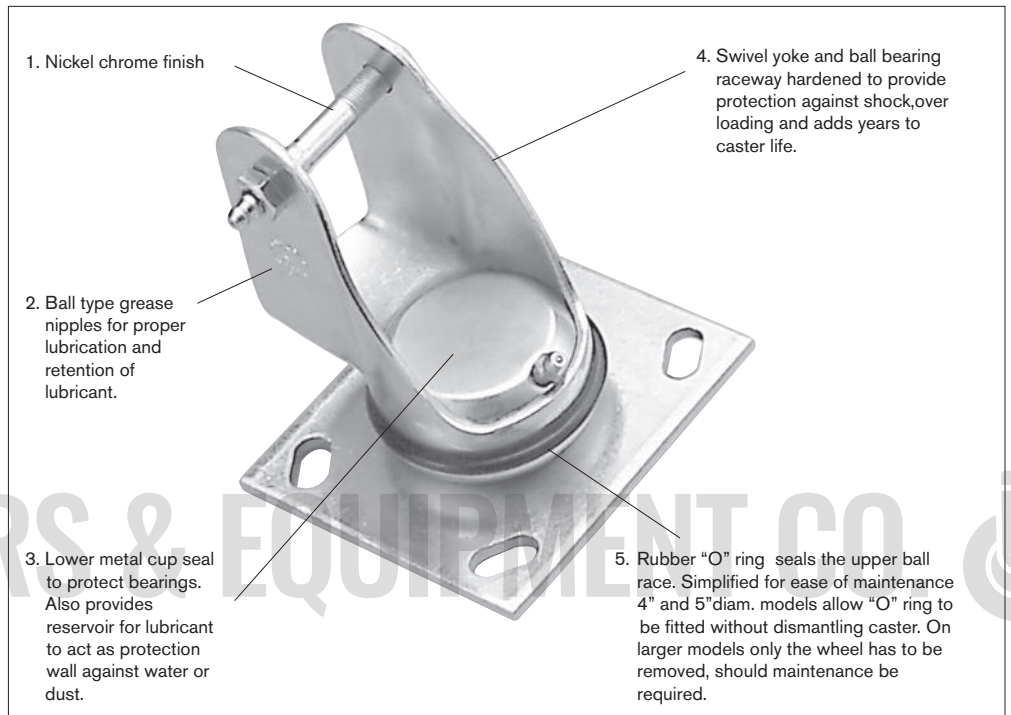
31-CW76R-XD



31-CW76F-XSR

FEATURES

After years of actual experiments and hundreds of tests, we have developed a line of casters to reduce rusting under wet conditions. Hospital laundries and dietary departments, plus hotel and motel areas concerned with sanitary operations will find the cartwashable design reduces maintenance and provides extra life both to the casters and equipment. The medium and heavy duty models are ideally suited to the sanitary conditions dictated by experimental and pharmaceutical laboratories as well as firms connected to the meat packing and food industries.



1. Nickel chrome finish

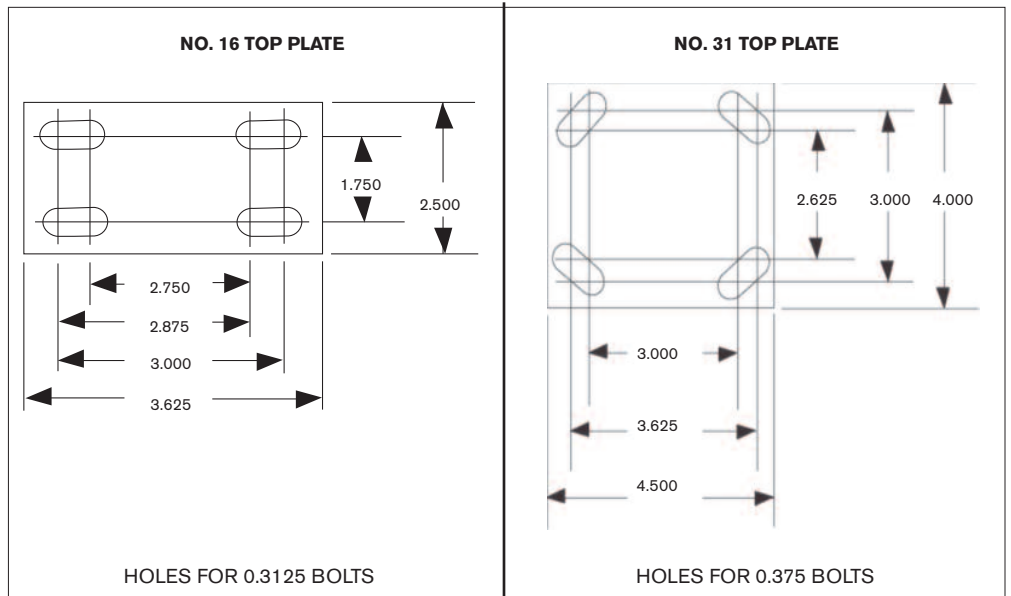
4. Swivel yoke and ball bearing raceway hardened to provide protection against shock, over loading and adds years to caster life.

2. Ball type grease nipples for proper lubrication and retention of lubricant.

3. Lower metal cup seal to protect bearings. Also provides reservoir for lubricant to act as protection wall against water or dust.

5. Rubber "O" ring seals the upper ball race. Simplified for ease of maintenance 4" and 5" diam. models allow "O" ring to be fitted without dismantling caster. On larger models only the wheel has to be removed, should maintenance be required.

INSTALLATIONS



OPTIONAL STEMS AND PLATES AVAILABLE UPON REQUEST. CARTWASHABLE™ IS A REGISTERED TRADEMARK OF DARCOR LIMITED.

## CASTERS

WHEEL DIA.	TREAD WIDTH	LOAD CAP./LBS	BEARING TYPE	SWIVEL MODEL	RIGID MODEL	SWIVEL RADIUS	OVERALL HEIGHT
<b>NEOPRENE</b>							
4"	1-3/8"	225	BALL	16-CW64-XD	16-CW64R-XD	3-1/4"	5-3/8"
4"	1-3/8"	250	BALL	31-CW74-XD	31-CW74R-XD	3-1/2"	5-9/16"
5"	1-3/8"	250	BALL	16-CW65-XD	16-CW65R-XD	4"	6-3/8"
5"	1-3/8"	275	BALL	31-CW75-XD	31-CW75R-XD	4"	6-5/8"
5"	2"	450	ROLLER	31-CW405-TD	31-CW405R-TD	4-1/4"	6-11/16"
5"	2"	550	PRECISION BALL	31-CW405-PD	31-CW405R-PD	4-1/4"	6-11/16"
6"	1-5/8"	300	BALL	31-CW76-XD	31-CW76R-XD	4-7/8"	7-9/16"
6"	2"	500	ROLLER	31-CW406-TD	31-CW406R-TD	4-5/8"	7-11/16"
6"	2"	600	PRECISION BALL	31-CW406-PD	31-CW406R-PD	4-5/8"	7-11/16"
8"	2"	500	ROLLER	31-CW408-TD	31-CW408R-TD	5-3/4"	9-3/4"
8"	2"	600	PRECISION BALL	31-CW408-PD	31-CW408R-PD	5-3/4"	9-3/4"
<b>SUPER ROLL NEOPRENE</b>							
4"	1-3/8"	250	BALL	16-CW64-XSR	16-CW64R-XSR	3-1/4"	5-3/8"
4"	1-3/8"	300	BALL	31-CW74-XSR	31-CW74R-XSR	3-1/2"	5-9/16"
5"	1-3/8"	275	BALL	16-CW65-XSR	16-CW65R-XSR	4"	6-3/8"
5"	1-3/8"	350	BALL	31-CW75-XSR	31-CW75R-XSR	4"	6-5/8"
6"	1-1/2"	400	BALL	31-CW76-XSR	31-CW76R-XSR	4-7/8"	7-9/16"
<b>SOLID ELASTOMER</b>							
4"	1-3/8"	600	PRECISION BALL	31-CW74-PSE	31-CW74R-PSE	3-1/2"	5-9/16"
5"	1-3/8"	600	PRECISION BALL	31-CW75-PSE	31-CW75R-PSE	4"	6-5/8"
5"	2"	1000	PRECISION BALL	31-CW405-PSE	31-CW405R-PSE	4-1/4"	6-11/16"
6"	1-3/8"	600	PRECISION BALL	31-CW76-PSE	31-CW76R-PSE	4-7/8"	7-9/16"
6"	2"	1000	PRECISION BALL	31-CW406-PSE	31-CW406R-PSE	4-5/8"	7-11/16"
8"	2"	1000	PRECISION BALL	31-CW408-PSE	31-CW408R-PSE	5-3/4"	9-3/4"

## WHEELS

WHEEL DIA.	TREAD WIDTH	LOAD CAP./LBS	BALL BEARING	ROLLER BEARING	PRECISION BALL BEARING SEALED	BORE SIZE	HUB LENGTH	SERIES USED IN
<b>NEOPRENE WHEELS</b>								
4"	1-3/8"	225	W-CW64-XD			3/8"	1-1/2"	60
4"	1-3/8"	250	W-CW74-XD			3/8"	1-3/4"	70
5"	1-3/8"	250	W-CW65-XD			3/8"	1-1/2"	60
5"	1-3/8"	275	W-CW75-XD			3/8"	1-3/4"	70
5"	2"	450/550		W-CW405-TD	W-CW405-PD	1/2"	2-3/8"	400
6"	1-1/2"	300	W-CW76XD			3/8"	1-3/4"	70
6"	2"	500/600		W-CW406-TD	W-CW406-PD	1/2"	2-3/8"	400
8"	2"	500/600		W-CW408-TD	W-CW408-PD	1/2"	2-3/8"	400
<b>SUPER ROLL NEOPRENE</b>								
4"	1-3/8"	250	W-CW64-XSR			3/8"	1-1/2"	60
4"	1-3/8"	300	W-CW74-XSR			3/8"	1-3/4"	70
5"	1-3/8"	275	W-CW65-XSR			3/8"	1-1/2"	60
5"	1-3/8"	350	W-CW75-XSR			3/8"	1-3/4"	70
6"	1-1/2"	400	W-CW76-XSR			3/8"	1-3/4"	70
<b>SOLID ELASTOMER WHEELS</b>								
4"	1-3/8"	600			W-CW74-PSE	3/8"	1-3/4"	70
5"	1-3/8"	600			W-CW75-PSE	3/8"	1-3/4"	70
5"	2"	1000			W-CW405-PSE	1/2"	2-3/8"	400
6"	1-3/8"	600			W-CW76-PSE	3/8"	1-3/4"	70
6"	2"	1000			W-CW406-PSE	1/2"	2-3/8"	400
8"	2"	1000			W-CW408-PSE	1/2"	2-3/8"	400